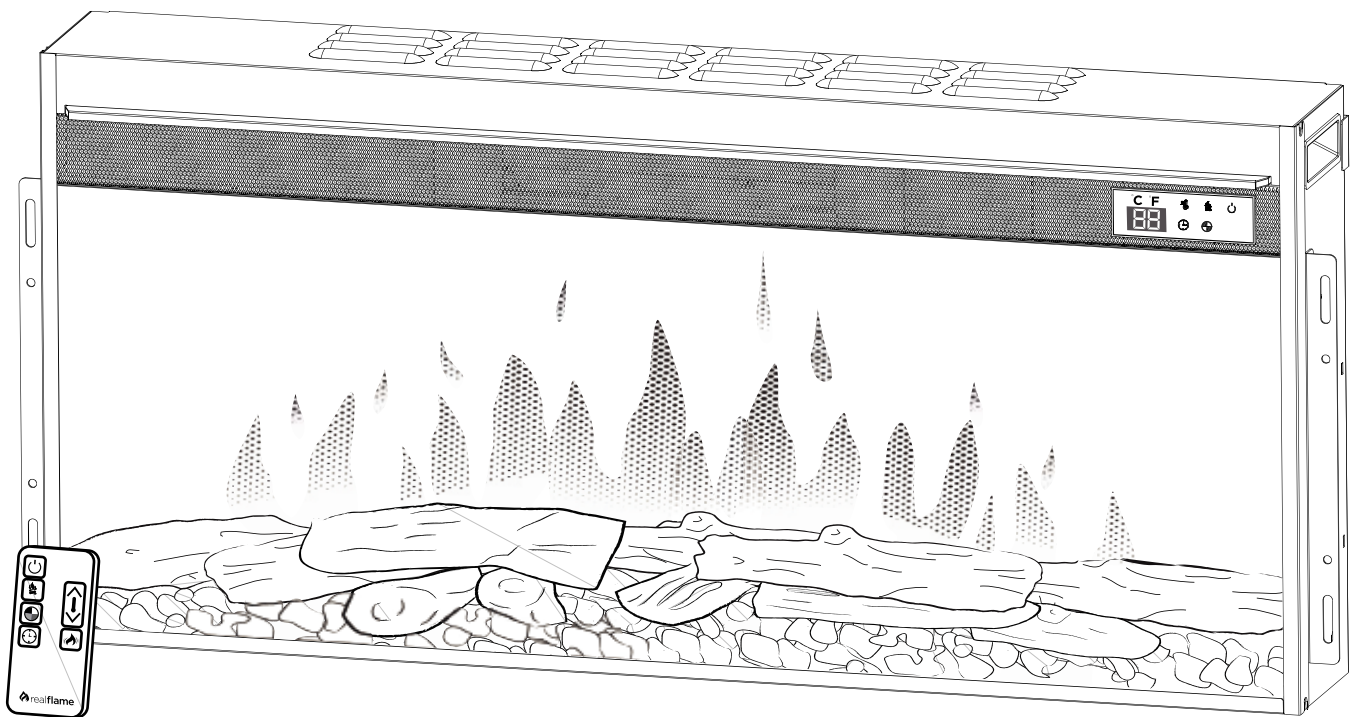




PO: \_\_\_\_\_



# Firebox Users Guide

## Model #4192

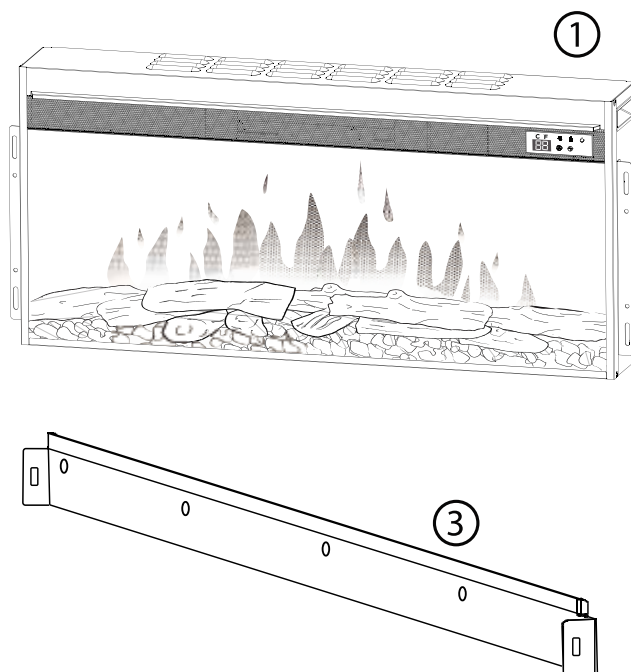
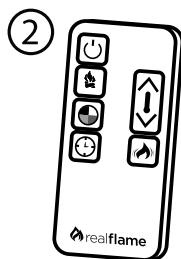
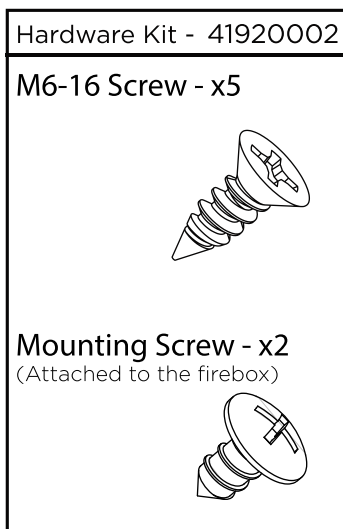
English • Français • Español

# TABLE OF CONTENTS

PARTS LIST	2
IMPORTANT SAFETY INSTRUCTIONS	3
SITE SELECTION AND PREPARATION	6
OPERATION AND FEATURES	7
CARE AND MAINTENANCE	8
INSTALLATION	9
WARRANTY	10
RETURN POLICY	11

## PARTS LIST

Part Name	Part No.	Qty.
① Electric Firebox	N/A	1
② Remote Control	41920001	1
③ Mounting Bracket (Note: Attached to the firebox)	41920003	1
④ Hardware Kit	41920002	1



# IMPORTANT SAFETY INSTRUCTIONS

## SAVE THIS USER'S GUIDE FOR FUTURE REFERENCE

When using electrical appliances, basic precautions should always be followed to reduce the risk of fire, electric shock, injury or death.

### Read all instructions before installing or using this fireplace

1. Electric fireplace is for indoor use only.
2. Do not modify the electric heater in any way. Use it only as described in this manual. Any other use not recommended by Real Flame may cause a fire, electric shock, serious injury or death.
3. The heater may become hot when in use and could burn you. To avoid burns, do not let bare skin touch hot surfaces. **Keep combustible materials, such as furniture, pillows, bedding, papers, clothes, and curtains at least 3 feet (0.9m) from the top, sides and rear of the unit.**
4. Always use properly grounded, fused and polarized outlets.
5. Always call a certified electrician if new circuits or outlets will be required.
6. Extreme caution is necessary when any heater is used by, or near, children or people with disabilities. The unit should NEVER be left unattended.
7. The electric heater is not intended for use in bathrooms, laundry areas or similar indoor locations. Never locate heater where it may fall into a bathtub or in other areas where it may come into contact with water; dangerous electric shock could occur.
8. Do not operate any unit with a damaged cord or plug, or if the heater has malfunctioned, or if the fireplace has been dropped or damaged in any manner. Contact Real Flame at 1-800-654-1704.
9. The cord may become hot when the fireplace is in operation. Do not run the cord under carpeting, furniture, or appliances. Do not cover cord with throw rugs, runners or similar items.
10. To prevent people from tripping on the cord, make sure it is placed away from high traffic areas.
11. Do not insert or allow foreign objects to enter any ventilation or exhaust opening as this may damage the heater or result in electric shock.
12. To prevent a possible fire, do not block air intake or exhaust in any manner. Do not use on soft surfaces, like a bed, where openings may become blocked.
13. All electrical heaters have hot, arcing or sparking parts inside. Do not use in areas where gasoline, paint, or flammable liquids are used or stored or where the unit will be exposed to flammable vapors. Doing so could result in a fire or cause explosion.
14. Do not burn wood or other materials in the electric heater; the unit or the wall could catch fire if you do.
15. To disconnect the unit, turn the firebox off and then remove the plug from the outlet.
16. Always unplug the electric heater when not in use for an extended period of time.

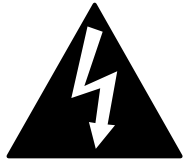
### Glass Panel Information

1. The panel is made of tempered glass.
2. Under no circumstances should this product be operated with a broken or chipped glass panel.
3. Do not hit or slam the glass.
4. Do not use abrasive cleaners to clean the glass.

# IMPORTANT SAFETY INSTRUCTIONS

SAVE THIS USER'S GUIDE FOR FUTURE REFERENCE

## **WARNING**



- Risk of electric shock
- Do not open
- Non-user serviceable parts inside

## **DESCRIPTIONS OF WARNINGS**



### **NOTE**

Procedures and techniques that are considered important enough to emphasize.




### **CAUTION**

Procedures and techniques which, if not carefully followed, will result in damage to the equipment.



### **WARNING**


Procedures and techniques which, if not carefully followed, will expose the user to the risk of fire, serious injury, illness or death.

 **NOTE:** This equipment has been tested and found to comply with the limits for Class B digital device, pursuant to part 15 of the FCC Rules. These limits are designed to provide reasonable protection against harmful interference in a residential installation. This equipment generates, uses and can radiate radio frequency energy and, if not installed and used in accordance with the instructions, may cause harmful interference with radio or television reception. That can be determined by turning the equipment off and on. The user is encouraged to try to correct the interference by one or more of the following measures:

- Reorient or relocate the receiving antenna.
- Increase the separation between the equipment and the receiver.
- Connect the equipment into an outlet on a circuit different from that to which the receiver is connected.
- Consult the dealer or an experienced radio / TV technician for help.

Operation is subject to the following two conditions:

- (1) This device may not cause interference.
- (2) This device must accept any interference, including interference that may cause undesired operation of the device.

 **NOTE:** A 15amp, 120-volt circuit is required. A dedicated circuit is preferred but not essential in all cases. A dedicated circuit will be required if, after installation, the circuit breaker trips or the fuse blows on a regular basis when the heater is operating. Additional appliances on the same circuit may exceed the current rating of the circuit breaker.

**If you have any questions about our products please contact  
Real Flame® customer service at 1-800-654-1704**

# IMPORTANT SAFETY INSTRUCTIONS

SAVE THIS USER'S GUIDE FOR FUTURE REFERENCE

- Remove and immediately recycle or dispose of used batteries according to local regulations and keep away from children. Do NOT dispose of batteries in household trash or incinerate.
- Even used batteries may cause severe injury or death.
- Call a local poison control center for treatment information.
- Battery type: CR2025
- Battery voltage: 3V
- Non-rechargeable batteries are not to be recharged.
- Do not force discharge, recharge, disassemble, heat above 140°F (60°C) or incinerate. Doing so may result in injury due to venting, leakage or explosion resulting in chemical burns.
- Ensure the batteries are installed correctly according to the polarity (+ and -).
- Do not mix old and new batteries, different brands or types of batteries such as alkaline, carbon-zinc, or rechargeable batteries.
- Remove and immediately recycle or dispose of batteries from equipment not used for an extended period of time according to local regulations.
- Always completely secure the battery compartment. If the battery compartment does not close securely, stop using the product, remove the batteries, and keep them away from children.

## **WARNING**

- **INGESTION HAZARD:** This product contains a button cell or coin battery.
- **DEATH** or serious injury can occur if ingested.
- A swallowed button cell or coin battery can cause **Internal Chemical Burns** in as little as **2 hours**.
- **KEEP** new and used batteries **OUT OF REACH** of **CHILDREN**.
- **Seek immediate medical attention** if a battery is suspected to be swallowed or inserted inside any part of the body.
- **Battery Type/Voltage:**  
CR2025/3V



## **WARNING**

**INGESTION HAZARD:**  
This product contains a button cell or coin battery.

# SITE SELECTION AND PREPARATION

## WARNING

### To reduce the risk of fire or electric shock when installing:

- Make sure the power cord is not pinched or against a sharp edge when installed.
- Ensure that the power cord is stored or secured to avoid tripping or snagging.
- Construction and electrical outlet wiring must comply with local building codes and other applicable regulations.
- Do not attempt to wire your own new outlets or circuits. Always call a licensed electrician.

See figure 1 for grounding instruction. This heater is for use on 120 volts. The cord has a plug as shown at A in Figure 1. An adapter as shown at C is available for connecting three-blade grounding-type plugs to two-slot receptacles. The green grounding lug extending from the adapter must be connected to a permanent ground such as a properly grounded outlet box. The adapter should not be used if a three-slot grounded receptacle is available.

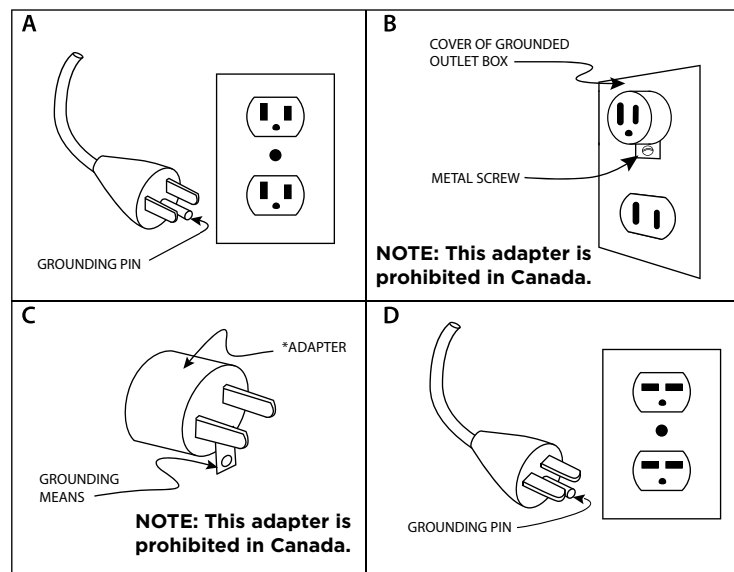


Fig. 1

This section provides easy step by step instructions for selecting a location and preparing the site to install the fireplace into any Real Flame® fireplace mantel.

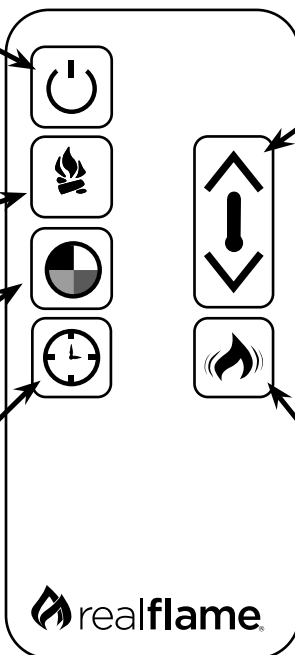
### NOTE

- The fireplace insert comes completely assembled and wired. Some tools may be required to prepare the site and install the trim.
- The dimensions of the fireplace insert are 39.125" wide x 18.5" high x 5.625" deep.
- You should allow 1/4" around the fireplace insert for ease of installation.
- This fireplace does not require any venting.

Select a suitable location that is not susceptible to moisture and is away from drapes, furniture and high traffic. For ease of electrical hook up you may wish to position the fireplace near an existing outlet.

# OPERATION AND FEATURES

## Using the Remote Control



**POWER**  
This will turn the unit ON/OFF. When turned back ON, the system will recall its last heat setting used.

**ADJUST BRIGHTNESS**  
This allows you to raise or lower the level of flame brightness.

**ADJUST FLAME**  
This allows you to change flame color.

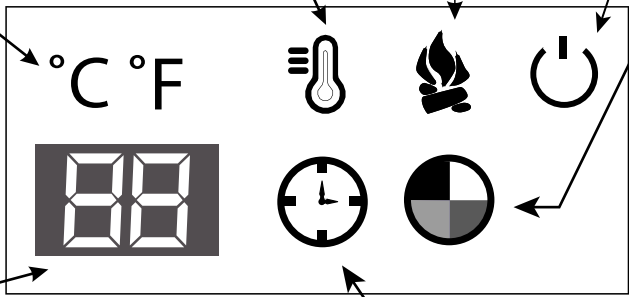
**TIMED SHUT-OFF**  
This allows you to set the fireplace to automatically shut OFF after the amount of time displayed on the screen. Timer can be set for ten minutes up to nine hours.

**ADJUST TEMPERATURE**  
This allows programming of the thermostat. The firebox can be used without the heater if desired, simply cycle through the function until no temperature is displayed. Press and hold the down arrow for five seconds to switch temperature readout from °F to °C and back.

**DYNAMIC EMBERS**  
This function will make the embers of the fire automatically glow dimmer and brighter creating a realistic fire effect.

realflame

## Using the Control Panel



**THERMOSTAT**  
°F or °C will be displayed along with the temperature on the main display. The firebox can be used without the heater if desired, simply cycle through the function until no temperature is displayed.

**ADJUST HEATER**  
This function will cycle through the different temperature levels of the heater. Hold 5 seconds to switch readout between °F and °C.

**ADJUST BRIGHTNESS**  
This function will cycle through the five different levels of flame brightness.


**POWER**  
This will turn the unit ON/OFF.


**ADJUST FLAME COLOR**  
This function changes the flame color.


**TIMER/DYNAMIC EMBERS**  
This will allow you to set the automatic shutoff on the fireplace. Hold for 5 seconds to switch to Dynamic Embers. This function will make the embers of the fire automatically glow dimmer or brighter creating a realistic fire effect. Hold 5 seconds to return to Timer.

**MAIN DISPLAY**  
All numerical information will be displayed on this screen along with the related function icon.

# OPERATION AND FEATURES

 **NOTE** When turned OFF the embers of the log set will not immediately go out. This is a designed feature to represent the embers of the fire slowly fading out.

 **NOTE** Although the heater has been turned off the fan may still run to prevent over heating.

 **NOTE** If the display screen reads 88 or EE verify that all vents on the firebox are clear of any obstructions, then unplug the firebox and plug it back in to reset the firebox. If this problem persists please contact Real Flame at 1-800-654-1704.


# CARE AND MAINTENANCE


## Battery Replacement

1. The battery compartment is located on the back end of the remote.
2. Press and slide the battery door open and remove the old battery.
3. Insert a CR2025 battery, checking that the “+” and “-” terminals of the battery match the inside of the battery compartment.
4. Replace the battery compartment door.

## Light Emitting Diode

This firebox is fitted with LED (Light Emitting Diode) bulbs in place of conventional bulbs. These generate the same light levels as conventional bulbs, but use a fraction of the energy. These LED bulbs are maintenance free and should not require replacing during the life of the product.

 **WARNING** Disconnect power before attempting any maintenance or cleaning to reduce the risk of fire, electric shock, injury or death.

 **CAUTION** When transporting or storing the unit and cord, keep in a dry place free from excessive vibration, and store carefully to avoid damage.

## Cleaning

- Dust the fireplace using a clean dry cloth.
- Use warm water and a clean cloth to wipe off any painted surfaces. Do not use abrasive cleaners.
- Use a standard glass cleaner for the glass panel of the fireplace.





## INSTALLING THE 4192 ELECTRIC FIREBOX

**WARNING** Read and understand all instruction manuals included with your firebox and mantel before installing this unit.

Follow the below steps to install the electric firebox into your Real Flame® fireplace mantel

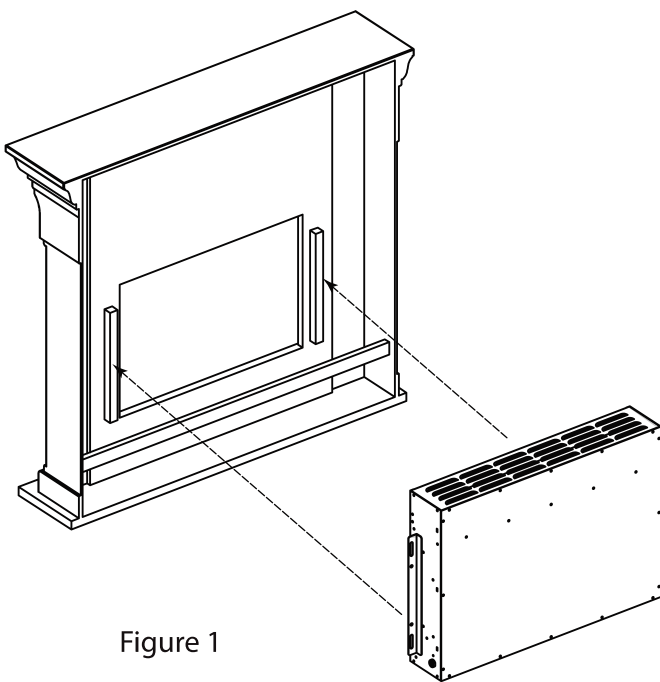


Figure 1

### Step One

Figure 1

From the rear of the mantel insert the firebox into the opening.

**Note:** Your mantel may vary slightly from the one depicted in this illustration.

### Step Two

Figure 2

Attach the firebox to the back of the mantel with the 4 supplied screws.

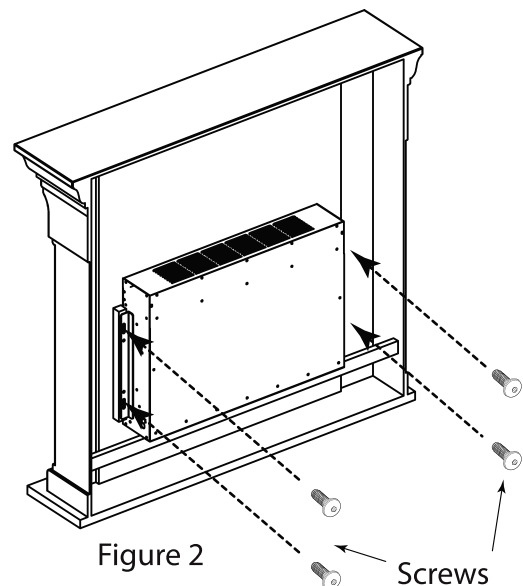


Figure 2

Screws

# WARRANTY

## Limited Warranty

Real Flame® warrants that the following components of this Real Flame® fireplace ("the Product") will be free from manufacturing defects in material and workmanship after correct assembly and under normal use and proper maintenance for the periods indicated below, commencing with the date of purchase of the Product:

- The body - 1 year limited warranty.
- The internal components - 1 year limited warranty.

This non-transferable warranty extends to the original purchaser only, provided that the purchase was made through an authorized Real Flame dealer. The warranty is also subject to the following conditions and limitations:

This warranty does not extend to damages caused by shipping, improper assembly, installation or storage, installation that does not comply with building codes and ordinances, installation or operation not in accordance with the included manual, abuse, lack of maintenance, hostile environments, accident, natural weather, or unworkmanlike repairs. Modification of the Product, use of fuels other than what is approved by Real Flame, or use of parts installed from other manufactures will nullify this warranty.

This warranty applies to the functionality of the Product only and does not cover cosmetic issues such as scratches, dents, rust, oxidation, corrosion, areas discolored or cracked due to prolonged exposure to extreme heat, or damage caused by abrasive or chemical cleaners. However, should deterioration of parts occur to the degree of non-performance within the duration of the warranty period, Real Flame will provide a replacement part.

Real Flame requires reasonable proof of your date of purchase. Therefore, you should retain your sales receipt and/or invoice. Defective parts subject to this warranty will not be replaced without proof of purchase.

Real Flame must have the opportunity to verify the alleged defect. In order for any internal components to be covered under warranty, Real Flame requires the user to troubleshoot with a Real Flame Customer Service member to ensure proper operation and diagnosis of issue.

In the event of covered defects in warranted items, Real Flame will, at its sole option and discretion, replace the defective component, replace the Product or refund the purchase price. Real Flame is not responsible for the installation, labor or any other costs associated with the reinstallation. The foregoing is the exclusive remedy under the terms of this limited warranty. Real Flame will not be responsible for any incidental or consequential damages caused by defects in the Product. Some states do not allow the exclusion or limitation of incidental or consequential damages, so the above limitation or exclusion may not apply to you.

This limited warranty is the sole express warranty given by Real Flame. The duration of any implied warranty arising under the laws of any state, including implied warranty of merchantability or fitness for a particular purpose or use, is limited to the duration of the warranty specified above. Some states do not allow limitations on how long an implied warranty lasts, so this limitation may not apply to you.

This warranty gives you specific legal rights, and you may also have other rights which vary from State to State.

For warranty service:

1. Call Real Flame Customer Service at 1-800-654-1704 for technical support and troubleshooting.
2. If experiencing issues with finish, please fill out the 'Outdoor Warranty Claim' form at [www.realflame.com](http://www.realflame.com).

# RETURN POLICY

## **Return Policy**

You may return your purchase within 90 days of receipt. No refunds will be issued for incomplete or unauthorized returns. All returned products must be 100% complete, adequately packaged in original packaging and in resalable condition. Products that have been assembled or modified will not be eligible for return. All items must be returned in their entirety, meaning all items included must be returned together. No returns or exchanges on discontinued items. Please begin the return process by contacting the store or company where you bought your Real Flame® item.

## **Replacement Parts**

In the event that an item has been lost or damaged, either by the manufacturer or in shipping, you may request a replacement. Replacement parts are not available for all units and only given at Real Flame's discretion. We will assess any damage and find a solution, which could include shipping you a replacement. No replacements are available for discontinued items or repackaged (open box) products. Please call Real Flame Customer Service at 1-800-654-1704 for replacement parts before returning the damaged item. Please have the following information (which can be found in your instruction manual) ready before you call Customer Service:

- Model number of item
- 4-8 digit part number
- Shipping address
- A picture of the damaged item may be requested. Pictures should be sent to [csrep@realflame.com](mailto:csrep@realflame.com)

## **Incorrect Order Received**

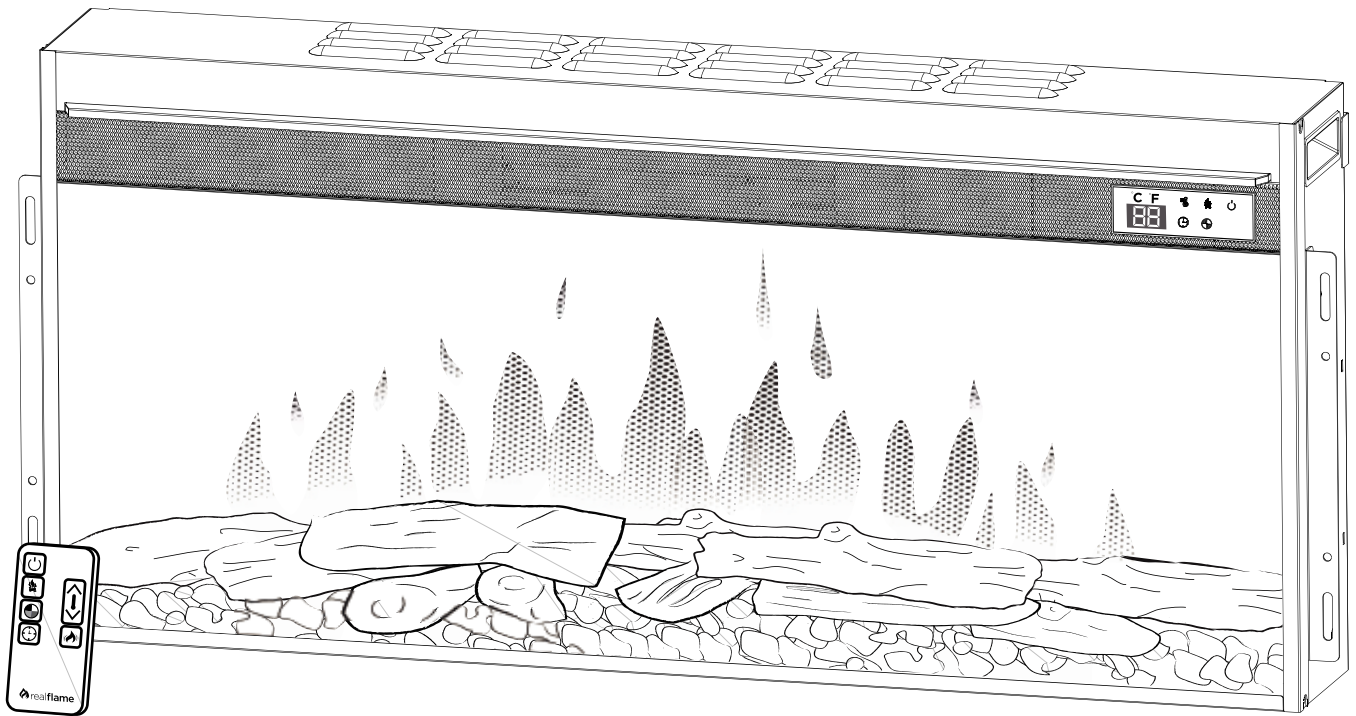
If you received something other than what you ordered, please contact Real Flame Customer Service at 1-800-654-1704 within 48 hours of receiving the item.

Refer to [www.realflame.com](http://www.realflame.com) for our complete return guidelines and policies.

Please register your fireplace for recall notifications, proof of ownership and quality assurance at <https://www.realflame.com/registration>.

Real Flame®  
7800 Northwestern Ave.  
Racine, WI 53406  
USA

Customer Service: 1-800-654-1704 in USA  
Service à la clientèle: 1-800-363-6443 in Canada  
[csrep@realflame.com](mailto:csrep@realflame.com)



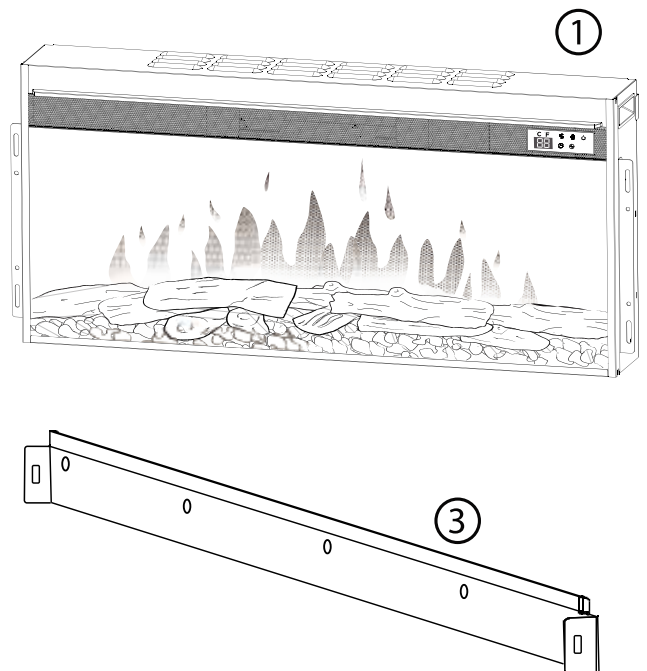
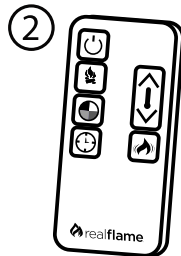
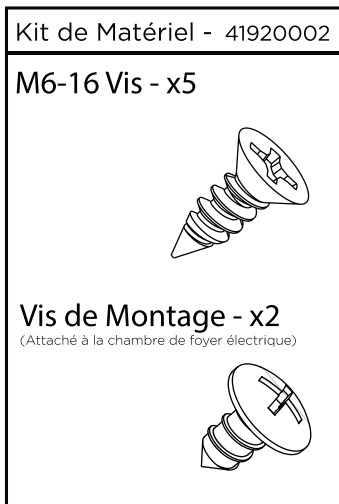
# Guide de L'utilisateur Pour la Foyer Électrique Modèle n° 4192

# TABLE DES MATIÈRES

Liste des pièces	2
Importantes instructions de sécurité	3
Sélection et préparation du lieu choisi	6
Utilisation et fonctionnalités	7
Nettoyage et entretien	8
Installation	9
Garantie	10
Politiques de retour	11

# LISTE DE PIÈCES

Nom de la pièce	Numéro de pièce	Quantité
① Foyer Électrique	N/A	1
② Télécommande	41920001	1
③ Support de Montage (Note: Attaché à la chambre de foyer électrique)	41920003	1
④ Kit de Matériel	41920002	1



# IMPORTANTES INSTRUCTIONS DE SÉCURITÉ

Veillez conserver ce guide d'utilisation pour référence ultérieure.

Lors de l'utilisation d'appareils électriques, vous devez toujours faire preuve de prudence en suivant toutes les instructions afin d'éviter les risques d'incendie, les décharges électriques et les blessures:

1. Lire toutes les instructions avant d'utiliser cet appareil.
2. L'appareil de chauffage devient chaud à l'usage. Pour éviter des brûlures, ne pas laisser la peau nue en contact avec les surfaces chaudes. La moulure entourant l'appareil de chauffage devient chaude lors de l'usage. **Tenir les matériaux combustibles tels que les meubles, les coussins, la literie, les papiers, les vêtements et les rideaux à au moins 3 pieds (0,9 m) du devant, côtés et arrière de l'appareil.**
3. Des précautions importantes doivent être prises lorsqu'un appareil de chauffage est utilisé par ou près d'enfants, de personnes à mobilité réduite, et est en usage sans supervision.
4. Toujours débrancher l'appareil de chauffage lorsqu'il n'est pas en usage.
5. Ne jamais utiliser l'appareil si le cordon d'alimentation ou la fiche de branchement sont endommagés; ou encore si l'appareil de chauffage ne fonctionne pas bien, s'il est tombé de haut ou a été endommagé de quelques manières. Apporter l'appareil à un service d'entretien autorisé pour un examen et une mise au point électrique ou mécanique ou une réparation complète.
6. N'est pas conçu pour un usage à l'extérieur.
7. Cet appareil de chauffage électrique n'est pas conçu pour être utilisé dans une salle de bain, salle de lavage ou toute autre pièce intérieure similaire. Éviter de mettre l'appareil dans un endroit où il pourrait tomber dans une baignoire ou un contenant rempli d'eau.
8. Ne pas placer les cordons électriques sous un tapis, meubles ou appareils. Ne pas recouvrir les cordons électriques avec une carpe ou un tapis de couloir. Disposer les cordons électriques en dehors des lieux de passages fréquents afin de ne pas les abîmer.
9. Pour débrancher l'appareil, mettre le foyer hors tension, et débrancher ensuite de la prise de courant.
10. Connecter uniquement à des prises de courant correctement mise à la terre.
11. Ne pas laisser des objets étrangers entrer dans le système de ventilation ou la bouche d'évacuation; cela pourrait occasionner une décharge électrique, un incendie ou endommager l'appareil de chauffage.
12. Pour prévenir les risques d'incendie, ne pas obstruer l'entrée ou la sortie d'air de quelques manières. Ne pas utiliser sur une surface souple telle qu'un lit, qui pourrait obstruer les ouvertures.
13. Tous les appareils de chauffage électriques possèdent des parties chaudes, des arcs électriques ou des étincelles à l'intérieur de leur composante. Ne pas utiliser dans des endroits où on trouve de l'essence, de la peinture et où des liquides inflammables sont utilisés ou entreposés, et où l'appareil serait exposé à des vapeurs inflammables.
14. Ne pas modifier l'appareil de chauffage électrique. Utiliser selon l'usage décrit dans le manuel. Toute autre utilisation non recommandée par le fabricant peut occasionner des incendies, des décharges électriques, des blessures et même la mort.
15. Ne pas brûler du bois ou tout autre produit dans l'appareil de chauffage électrique.
16. Ne pas frapper sur le panneau de verre.
17. Toujours faire appel à un électricien agréé pour l'installation de nouveaux circuits ou de nouveaux branchements électriques.

## Information concernant le verre

1. Ce produit ne devrait jamais être utilisé avec un panneau de verre brisé ou fenêtré.
2. Ne pas frapper ou donner des coups sur le verre.
3. Ne pas utiliser des nettoyants abrasifs pour nettoyer le verre.
4. Ce produit est composé de verre trempé.

# IMPORTANTES INSTRUCTIONS DE SÉCURITÉ

GARDER CES INSTRUCTIONS EN RÉSERVE



## AVERTISSEMENT



- Risque de décharge électrique.
- Ne pas ouvrir.
- Aucune pièce utilisable à l'intérieur.

## DESCRIPTION DES AVERTISSEMENTS



### NOTE

Procédures et techniques qui sont considérées assez importantes pour être signalées.



### ATTENTION

Procédures et techniques, lesquelles, si elles ne sont pas suivies correctement, occasionneront un dommage à l'équipement.



### AVERTISSEMENT

Procédures et techniques, lesquelles, si elles ne sont pas suivies correctement, exposeront l'utilisateur à un risque d'incendie, de blessures sérieuses ou à la mort.

**⚠ REMARQUE:** Cet appareil a été testé et trouvé conforme aux normes des dispositifs numériques de classe B, en vertu de la Partie 15 des règlements du FCC. Ces normes ont pour but d'offrir une protection raisonnable contre des interférences nuisibles dans une installation résidentielle. Cet appareil génère, utilise et peut rayonner de l'énergie en radiofréquence et, s'il n'est pas installé et utilisé selon les instructions, peut occasionner des interférences nuisibles à la réception radio et télévisuelle, lesquelles deviennent manifestes en éteignant et allumant l'équipement. L'utilisateur peut essayer de corriger l'interférence par une ou l'autre des mesures suivantes

- Réorienter ou déplacer l'antenne de réception.
- Accroître la distance entre l'équipement et le récepteur.
- Brancher l'appareil dans une prise avec un circuit électrique différent de celui où le récepteur est branché.
- Consulter le détaillant ou un technicien expérimenté en radio/TV afin d'obtenir de l'aide.

Le fonctionnement est assujéti aux deux conditions suivantes:

- (1) Ce dispositif n'occasionnera pas d'interférence nuisible, et
- (2) Ce dispositif doit accepter toute interférence reçue, incluant des interférences qui peuvent occasionner des fonctionnements non désirés.

**⚠ REMARQUE:** Requiert un circuit de 15 ampères, 120 volts. Un circuit exclusif est préférable, mais pas toujours essentiel. Un circuit exclusif sera requis si, après l'installation, le disjoncteur se déclenche ou si les fusibles grillent à répétition lorsque l'appareil de chauffage est en usage. Plusieurs appareils sur un même circuit peuvent conduire à une surcharge du disjoncteur.

**Pour toutes questions sur nos produits, veuillez contacter le service à clientèle de Real Flame au 1 800 654-1704.**

# IMPORTANTES INSTRUCTIONS DE SÉCURITÉ

## GARDER CES INSTRUCTIONS EN RÉSERVE

- Retire y recicle o deseché inmediatamente las baterías usadas de acuerdo con las regulaciones locales y manténgalas fuera del alcance de los niños. NO deseché las baterías en la basura doméstica ni las incinere.
- Incluso las baterías usadas pueden causar lesiones graves o la muerte.
- Llame a un centro local de control de intoxicaciones para obtener información sobre el tratamiento.
- Tipo de batería: CR2025
- Voltaje nominal de la batería: 3V
- Las baterías no recargables no se deben recargar.
- No fuerce la descarga, recargue, desmonte, caliente por encima de 60 °C ni incinere. Hacerlo puede provocar lesiones debido a la ventilación, fugas o explosiones que provoquen quemaduras químicas.
- Asegúrese de que las baterías estén instaladas correctamente según la polaridad (+ y -).
- No mezcle pilas viejas y nuevas, ni de diferentes marcas o tipos de pilas, como las alcalinas, las de carbono-zinc o recargables.
- Retire y recicle o deseché inmediatamente las baterías de los equipos que no se utilicen durante un período prolongado de acuerdo con las regulaciones locales.
- Asegure siempre completamente el compartimiento de la batería. Si el compartimen to de las pilas no cierra de forma segura, deje de utilizar el producto, retire las pilas y manténgalas fuera del alcance de los niños.

### **AVERTISSEMENT**

- **RISQUE D'INGESTION:** Ce produit contient une pile bouton ou une pile bouton.
- **La MORT** ou des blessures graves peuvent survenir en cas d'ingestion.
- Une pile bouton ou une pile bouton avalée peut provoquer des **brûlures chimiques internes** en seulement **2 heures**.
- **GARDER** les piles neuves et usagées **HORS DE PORTÉE DES ENFANTS**.
- **Consultez immédiatement un médecin** si vous soupçonnez qu'une pile a été avalée ou insérée dans une partie du corps.
- Type de batterie /tension: CR2025/3V



### **AVERTISSEMENT**

- **RISQUE D'INGESTION:**  
Ce produit contient une pile bouton ou une pile bouton.



# SÉLECTION ET PRÉPARATION DU LIEU CHOISI

## WARNING

### To reduce the risk of fire or electric shock when installing:

- Make sure the power cord is not pinched or against a sharp edge when installed.
- Ensure that the power cord is stored or secured to avoid tripping or snagging.
- Construction and electrical outlet wiring must comply with local building codes and other applicable regulations.
- Do not attempt to wire your own new outlets or circuits. Always call a licensed electrician.

See figure 1 for grounding instruction. This heater is for use on 120 volts. The cord has a plug as shown at A in Figure 1. An adapter as shown at C is available for connecting three-blade grounding-type plugs to two-slot receptacles. The green grounding lug extending from the adapter must be connected to a permanent ground such as a properly grounded outlet box. The adapter should not be used if a three-slot grounded receptacle is available.

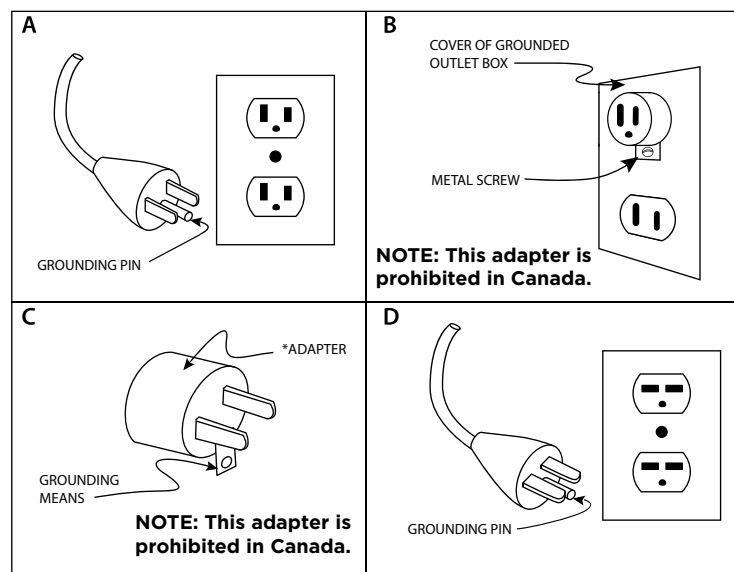


Fig. 1

### NOTE

- Le foyer encastrable est livré complètement assemblé et câblé.
- Les dimensions du foyer encastrable sont de 39.125" (99,38cm) de large x 18.5" (46,99cm) de haut x 5.625" (14,29cm) de profondeur.
- Ce foyer ne requiert aucune ventilation.

Choisir l'endroit souhaité pour votre installation. Il devrait être non humide, éloigné des rideaux, des meubles et des passages fréquents. Pour faciliter le raccordement de votre foyer au circuit électrique, choisir un endroit près d'une prise électrique existante.

# OPÉRATION ET CARACTÉRISTIQUES

## Utilisation de la télécommande

### Mise en Marche

Ce bouton met l'appareil en mode ON/OFF. Quand on revient à la position ON, le dispositif revient au dernier réglage qui avait été utilisé.

### Réglage de la Brillance

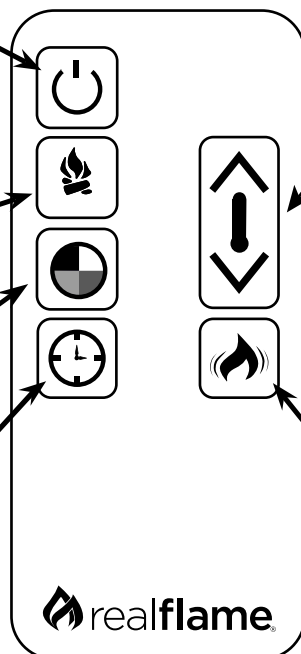
Vous permet d'augmenter ou de réduire le niveau de brillance de la flamme.

### Ajuster la Flamme

Cela vous permet de changer la couleur de la flamme.

### Arrêt Automatisé

Vous permet un arrêt automatique après le temps affiché sur l'écran. La minuterie peut être réglée de dix minutes à neuf heures.



### Réglage de la Température

Ce réglage permet de programmer le thermostat. La chambre de combustion, si désiré, peut être utilisée sans la chaufferette. Il suffit de n'indiquer aucun affichage de température. Presser et tenir la flèche pointant vers le bas durant 5 secondes pour basculer de la lecture en °F ou °C et vice versa.

### Mouvement des Braises

Cette fonction fera scintiller les braises créant un feu d'apparence réelle.

## Utilisation de Panneau de Contrôle

### Thermostat

°F à °C s'afficheront avec la température sur l'écran principal. La chambre de combustion, si désiré, peut être utilisée sans la chaufferette en mettant simplement le cycle de fonction avec aucun affichage de température.

### Réglage de la Température.

Cette fonction vous offre un cycle de différents niveaux de température. Tenir 5 secondes pour basculer de la lecture en °F à °C.

### Lumière d'ambiance

Cette fonction met en position ON/OFF une lumière d'ambiance au-dessus de bûches.

### Mise en Marche

Ce bouton met l'appareil en mode ON/OFF.

### Ajuster la Flamme

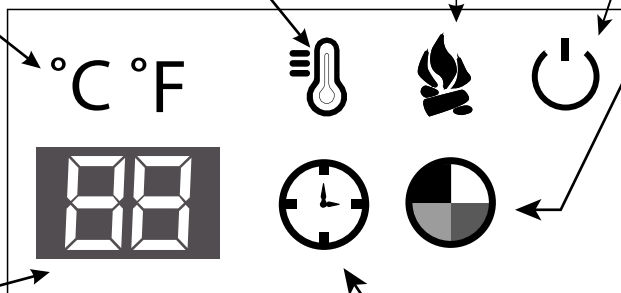
Cela vous permet de changer la couleur de la flamme.

### Minuterie/ Mouvement des Braises

Cette fonction permettra de régler l'arrêt automatique du foyer. Tenir durant 5 secondes pour aller vers le Mouvement des braises. Cette fonction vous permet aussi de donner un effet de scintillement des braises créant un feu d'apparence réelle. Tenir 5 secondes pour retourner à la minuterie.

### Écran Principal

Toute l'information numérique s'affichera sur cet écran selon la fonction de l'icône correspondant.



# OPÉRATION ET CARACTÉRISTIQUES

**! NOTE** Lorsque vous désactivez en mettant à OFF, les braises des bûches ne s'éteindront pas immédiatement. Cette caractéristique permet un plus grand réalisme d'un feu qui faiblit lentement.

**! NOTE** Même si l'appareil de chauffage est désactivé, le ventilateur peut continuer à fonctionner pour prévenir une surchauffe.

**! NOTE** Si l'écran d'affichage indique 88 ou EE, vérifiez que toutes les bouches d'aération de la chambre de combustion ne contiennent aucune obstruction, puis débranchez la cheminée et rebranchez-la pour réinitialiser la chambre de combustion. Si ce problème persiste, contactez Real Flame au 1-800-654-1704.

## SOINS ET ENTRETIEN

### Remplacement de la Pile

- Faire glisser le couvercle de la pile en pressant le levier de déverrouillage et retirer la pile. Voir la face intérieure de la télécommande pour les instructions.
- Remplacer la pile morte avec une pile CR2025. Aucune pile de remplacement n'est fournie avec la chambre de combustion.
- Ne pas jeter la pile morte avec les déchets municipaux. Les piles doivent être envoyées à un dépôt local pour le recyclage des piles.
- Refermer le couvercle de la pile.

### Diode électroluminescente

Cette chambre de combustion est pourvue d'ampoules DEL et non d'ampoules conventionnelles. Elles génèrent la même lumière, mais utilisent une fraction de l'énergie. Ces ampoules DEL ne requièrent aucun soin et ne devraient pas avoir besoin d'être remplacées pour toute la durée de vie de ce produit.

### Nettoyage

#### **! AVERTISSEMENT**

Débrancher toujours avant de procéder à un entretien ou un nettoyage afin de réduire le risque d'incendie, de décharge électrique, de blessures ou de mort.

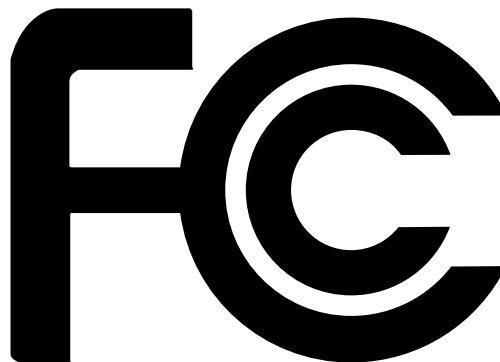
#### **! ATTENTION**

Lors d'un transport ou de l'entreposage de l'appareil et de son cordon d'alimentation, garder toujours l'endroit sec, exempt de vibration et entreposer de façon à éviter des bris.

- Épousseter l'appareil en utilisant un chiffon propre et sec.
- Utiliser une eau tiède et un chiffon propre pour essuyer toutes les surfaces peintes. Ne pas utiliser de nettoyant abrasif.
- Utiliser un nettoyant pour verre pour nettoyer le panneau de verre de l'appareil.



Approuvé pour un usage  
au Canada et aux États-Unis.



## INSTALLATION FOYER ÉLECTRIQUE 4192



### AVERTISSEMENT

Lire et comprendre tous les manuels d'instructions fournis avec votre chambre de combustion et le manteau avant d'installer cet appareil.

Suivez les étapes ci-dessous pour installer le foyer électrique dans votre Real Flame<sup>®</sup> manteau de la cheminée

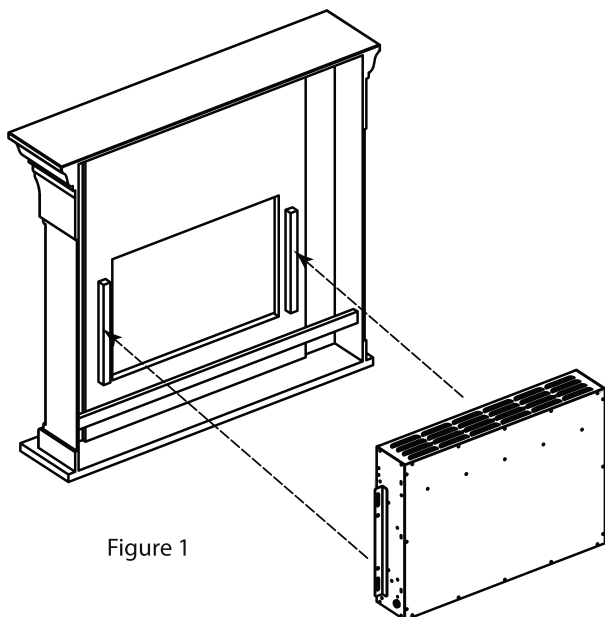


Figure 1

### Première Étape

Figure 1

Par l'arrière du manteau de cheminée, insérer la chambre de combustion dans l'ouverture.

**Note:** Votre manteau de la cheminée peut varier légèrement de celui représenté sur cette illustration.

### Deuxième Étape

Figure 2

Fixer la chambre de combustion au dos du manteau de cheminée avec les 4 vis fournies avec l'ensemble.

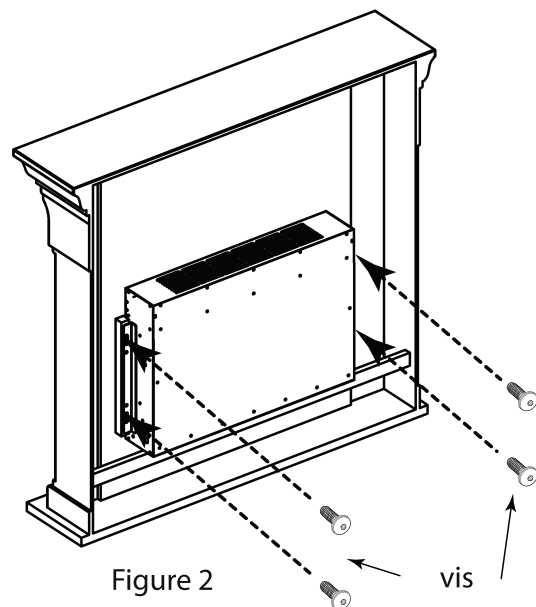


Figure 2

vis

# GARANTIE

## Garantie limitée

Real Flame® garantit que les composants suivants de ce foyer Real Flame® (« le Produit ») seront exempts de défauts de fabrication de matériaux et de main d'œuvre après un assemblage correct et dans des conditions normales d'utilisation et d'entretien pour les périodes indiquées ci-dessous, à compter de la date d'achat du Produit :

- Le corps - Garantie limitée de 1 an.
- Les composants internes - Garantie limitée de 1 an.

Cette garantie ne s'applique qu'à l'acheteur d'origine, à condition que l'achat ait été effectué auprès d'un revendeur agréé Real Flame. La garantie est également soumise aux conditions et limitations suivantes :

Cette garantie ne s'étend pas aux dommages causés par l'expédition, un assemblage, une installation ou un entreposage incorrects, une installation non conforme aux codes et normes du bâtiment, une installation ou un fonctionnement non conforme au manuel inclus, des abus, un manque d'entretien, des environnements hostiles, un accident, les intempéries ou les réparations impropres. La modification du produit, l'utilisation de carburants autres que ceux approuvés par Real Flame ou l'utilisation de pièces installées d'autres fabricants annulera cette garantie.

Cette garantie s'applique uniquement au produit et ne couvre pas les problèmes cosmétiques tels que les rayures, les bosses, la rouille, l'oxydation, la corrosion ou la décoloration causées par la chaleur, zones décolorées ou fissurées en raison d'une exposition prolongée à une chaleur extrême, les nettoyeurs abrasifs et les nettoyeurs chimiques. Cependant, si une détérioration des pièces se produit au point de non-performance pendant la durée de la période de garantie, Real Flame fournira une pièce de rechange.

Real Flame nécessite une preuve raisonnable de votre date d'achat. Par conséquent, vous devez conserver votre reçu de caisse et / ou votre facture. Les pièces défectueuses soumises à cette garantie ne seront pas remplacées sans preuve d'achat.

Real Flame doit avoir la possibilité de vérifier le défaut allégué. Pour que tous les composants internes soient couverts par la garantie, Real Flame demande à l'utilisateur d'obtenir de l'aide auprès d'un membre du service client Real Flame pour assurer le bon fonctionnement et le diagnostic du problème.

En cas de défauts couverts d'articles garantis, Real Flame remplacera, à sa seule discrétion, le composant défectueux, le produit ou remboursera le prix d'achat. Real Flame n'est pas responsable de l'installation, de la main-d'œuvre ou de tout autre coût associé à la réinstallation. Ce qui précède est le recours exclusif aux termes de cette garantie limitée. Real Flame ne sera pas responsable des dommages accessoires ou indirects causés par des défauts dans le produit. Certains états n'autorisent pas l'exclusion ou la limitation des dommages accessoires ou indirects, de sorte que la limitation ou l'exclusion ci-dessus peut ne pas s'appliquer à vous.

Cette garantie limitée est la seule garantie donnée par Real Flame. La durée de toute garantie implicite découlant des lois de tout État, y compris la garantie implicite de qualité marchande ou d'adéquation à un usage ou à un usage particulier, est limitée à la durée de la garantie spécifiée ci-dessus. Certains États n'autorisent pas les limitations de la durée d'une garantie implicite, il se peut donc que cette limitation ne s'applique pas à vous.

Cette garantie vous donne des droits légaux spécifiques, et vous pouvez également avoir d'autres droits qui varient d'un État à l'autre.

Pour le service de garantie :

1. Contacter le service à la clientèle Real Flame au 1-800-654-1704 pour le support technique et le dépannage.
2. Si vous rencontrez des problèmes avec la finition, veuillez remplir le formulaire « Réclamation de garantie extérieure » sur [www.realflame.com](http://www.realflame.com).

# POLITIQUES DE RETOUR

## Politiques de retour

L'achat peut être retourné dans les 90 jours suivant la réception. Il n'y aura aucun remboursement pour retours incomplets ou non autorisés. Tous les produits retournés doivent être à 100 % complets, d'une manière adéquate, dans l'emballage original et dans une condition revendable. Les produits qui ont été assemblés ou modifiés ne seront pas admissibles au retour. Tous les éléments doivent être retournés dans leur intégralité, ce qui signifie que tous les éléments inclus doivent être retournés ensemble. Aucuns échanges ou retours pour les articles retirés. Commencer le processus de retour en contactant le magasin ou l'entreprise où l'article Real Flame® a été acheté.

## Pièces de remplacement

Dans le cas où un article a été perdu ou détérioré, soit par le fabricant ou pendant le transport, une pièce de remplacement peut être demandée. Les pièces de remplacement ne sont pas disponibles pour tous les appareils et sont données à la discrétion de Real Flame. Nous évaluerons tout dommage et trouverons une solution, ce qui pourrait inclure la livraison du remplacement. Ne pas remplacer les articles retirés ou les produits (emballage ouvert). Appeler le Service à la clientèle de Real Flame 800-654-1704 pour les pièces de remplacement avant de retourner l'article endommagé. Avoir les informations suivantes (qui se trouvent dans le manuel d'utilisation) avant d'appeler le Service à la clientèle :

- Numéro de modèle de l'article
- Numéro de référence de 4-8 chiffres
- Adresse de livraison
- Une photo de l'article endommagé peut être demandée. Les photos doivent être envoyées à [csrep@realflame.com](mailto:csrep@realflame.com)

## Commande incorrecte reçue

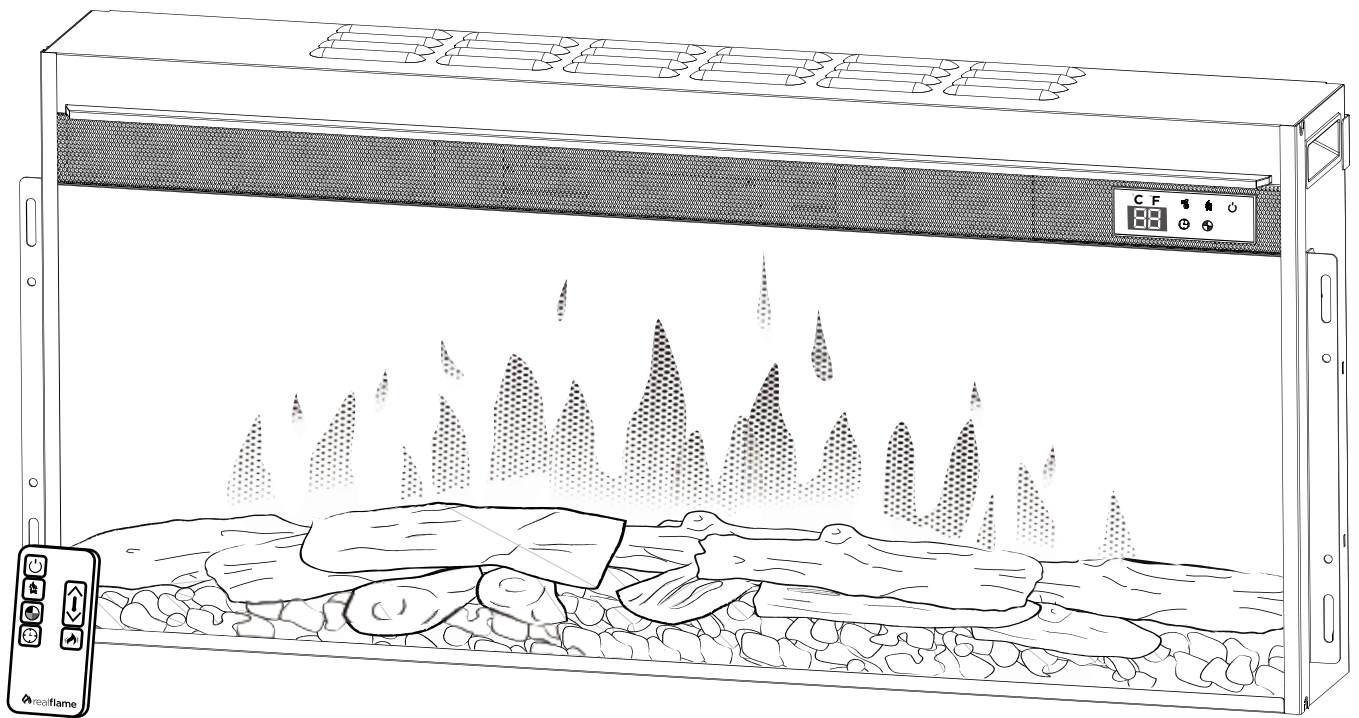
En cas de la réception de quelque chose d'autre que ce qui a été commandé, contacter le Service à la clientèle de Real Flame au 800-654-1704 dans un délai de 48 heures après avoir reçu l'article.

Consulter [www.realflame.com](http://www.realflame.com) pour nos directives et nos politiques de retour complètes.

Veuillez enregistrer votre foyer pour recevoir les notifications de rappel, les preuves de propriété et l'assurance qualité à l'adresse <https://www.realflame.com/registration>.

Real Flame®  
7800 Northwestern Ave.  
Racine, WI 53406  
USA

Customer Service: 1-800-654-1704 in USA  
Service à la clientèle: 1-800-363-6443 in Canada  
[csrep@realflame.com](mailto:csrep@realflame.com)



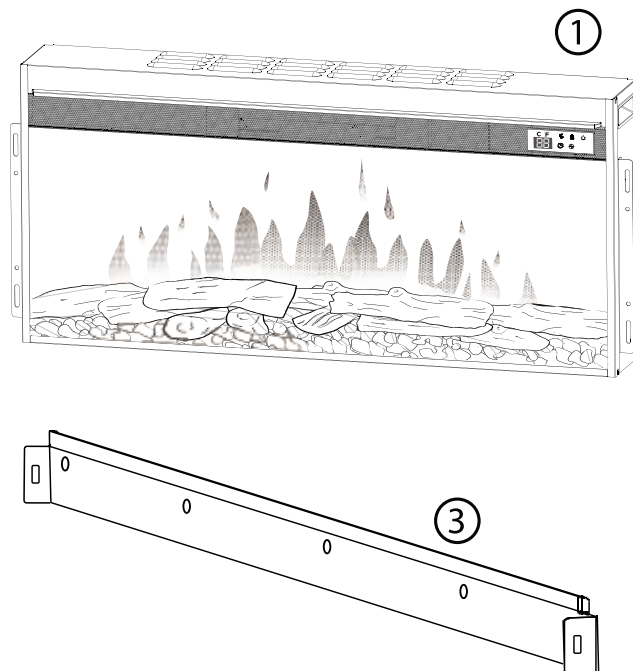
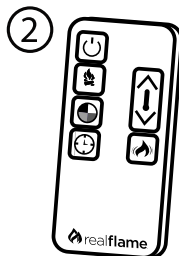
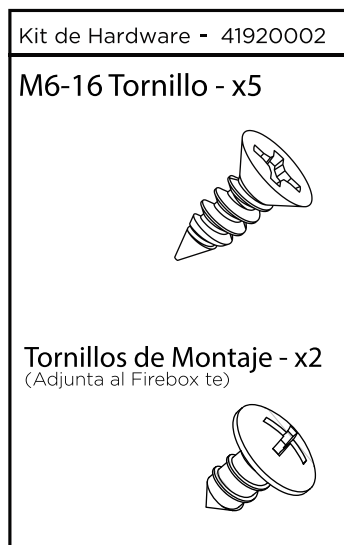
**Guía para el usuario del  
hogar a leña  
Model #4192**

# ÍNDICE

Lista de partes	2
Instrucciones importantes de seguridad	3
Selección y preparación del sitio	6
Características y operación	7
Cuidado y mantenimiento	8
Instalación	9
Garantía	10
Política de devolución	11

## LISTA DE PARTE

Nombre de Parte	Numero de Parte	Cantidad
① Hogar a Leña	N/A	1
② Control Remoto	41920001	1
③ Soporte de Montaje (Nota: Adjunta al Firebox te)	41920003	1
④ Kit de Hardware	41920002	1





# INSTRUCCIONES IMPORTANTES DE SEGURIDAD

Conserve esta guía para el usuario para consultarla en el futuro.

Siempre que se utilicen equipos eléctricos, deben tomarse precauciones básicas para reducir el riesgo de incendio, choque eléctrico y lesiones físicas. Entre estas precauciones se incluyen las siguientes:



1. Lea todas las instrucciones antes de utilizar este aparato.
2. Durante el uso, el calefactor se calienta. Evite tocar las superficies calientes con la piel descubierta para evitar quemaduras. El reborde que rodea la salida del calefactor se calienta durante el funcionamiento. **Mantenga los materiales combustibles, como muebles, almohadones, ropa de cama, papeles, prendas de vestir y cortinas al menos a 3 pies (0,9 m) de distancia de las partes delantera, posterior y laterales de la unidad.**
3. Se debe actuar con máxima prudencia si el calefactor es utilizado por niños o personas con discapacidades, o cerca de ellos, y cada vez que se deje el equipo en funcionamiento y sin supervisión.
4. Desenchufe el calefactor eléctrico en todos los casos mientras no lo utilice.
5. No ponga en funcionamiento el equipo si posee roturas en el cable o el enchufe, si el calefactor ha estado funcionando mal o si se ha caído o roto de cualquier otra manera. Lleve el calefactor a un centro autorizado de servicio técnico para su revisión, reparación o la realización de ajustes eléctricos o mecánicos.
6. No lo utilice al aire libre.
7. Este calefactor no fue diseñado para su uso en baños, lavaderos ni habitaciones de características similares. Nunca coloque el calefactor en un lugar desde el que pueda caer dentro de una bañera o cualquier otro recipiente con agua.
8. No realice el tendido del cable por debajo de alfombras, muebles ni electrodomésticos. No cubra el cable con alfombrillas, tapetes o materiales similares. Coloque el cable alejado de áreas de alto tránsito, donde nadie se tropiece con él.
9. Para desconectar la unidad, apague el hogar y, a continuación, quite el enchufe del tomacorriente.
10. Conéctelo solamente a tomacorrientes con la conexión a tierra adecuada.
11. No introduzca ni permita la entrada de objetos extraños en las aberturas de ventilación o escape ya que podría ocasionar un choque eléctrico, incendio o la rotura del calefactor.
12. Para evitar un posible incendio, no obstruya la entrada ni la salida de aire de ninguna manera. No lo coloque sobre superficies blandas, como camas, ya que las aberturas podrían quedar obstruidas.
13. Todos los calefactores eléctricos poseen piezas calientes o que generan chispas o arcos eléctricos en su interior. No lo utilice en zonas en las que se empleen o guarden gasolina, pintura o líquidos inflamables, ni en lugares en los que la unidad esté expuesta a vapores inflamables.
14. No modifique el calefactor eléctrico. Utilícelo exclusivamente según se describe en este manual. Cualquier otro uso no recomendado por el fabricante puede provocar incendios, choques eléctricos, lesiones o la muerte.
15. No queme madera u otros materiales en el calefactor eléctrico.
16. No golpee el panel de vidrio.
17. Consulte a un electricista matriculado cada vez que precise nuevos circuitos o tomacorrientes.




## Acerca del vidrio


1. Este producto no debe ponerse en funcionamiento en ninguna circunstancia si el panel de vidrio se encuentra roto o astillado.
2. No golpee ni cierre de golpe el vidrio.
3. No use limpiadores abrasivos para limpiar el vidrio.
4. Este producto posee vidrio templado.

# INSTRUCCIONES IMPORTANTES DE SEGURIDAD

## CONSERVE ESTAS INSTRUCCIONES

 <b>ADVERTENCIA</b>	
	<ul style="list-style-type: none"><li>• Riesgo de choque eléctrico.</li><li>• No abrir.</li><li>• Contiene piezas que no pueden ser reparadas por el usuario.</li></ul>


<b>DESCRIPCIÓN DE LAS ADVERTENCIAS</b>	
 <b>NOTA</b>	Procedimientos y técnicas cuya importancia es suficiente para enfatizarlos.
 <b>PRECAUCIÓN</b>	Procedimientos y técnicas que, de no seguirse con cuidado, producen daños al equipo.
 <b>ADVERTENCIA</b>	Procedimientos y técnicas que, de no seguirse con cuidado, exponen al usuario a riesgos de incendio, lesiones graves, enfermedad o muerte.

 **NOTA** Este aparato se ha sometido a pruebas y se ha determinado que cumple con los límites correspondientes a dispositivos digitales de Clase B, de acuerdo con la sección 15 de las normas de la Comisión Federal de Comunicaciones (FCC) de los EE. UU. El objetivo de estos límites es ofrecer protección razonable contra las interferencias perjudiciales en instalaciones residenciales. Este aparato genera, utiliza y es capaz de irradiar energía de radiofrecuencia. Si no se lo instala y utiliza de acuerdo con las instrucciones, puede generar interferencias perjudiciales para la recepción de radio o televisión, lo cual puede confirmarse apagando y encendiendo el equipo. Se recomienda al usuario intentar corregir la interferencia mediante una o más de las siguientes acciones:

- Modificar la orientación o ubicación de la antena receptora.
- Aumentar la separación entre el equipo y el receptor.
- Conectar el equipo a un tomacorriente que no pertenezca al mismo circuito al que está conectado el receptor.
- Consultar al distribuidor o a un técnico de radio/televisión con experiencia para obtener ayuda.

El funcionamiento está sujeto a las dos condiciones siguientes:

- (1) Este dispositivo no debe provocar interferencias y;
- (2) Este dispositivo debe aceptar cualquier interferencia, inclusive las que pudieran provocar un funcionamiento distinto al deseado.

 **NOTA** Requiere un circuito de 15 A y 120 V. Es preferible contar con un circuito exclusivo, pero no es imprescindible en todos los casos. Es necesario un circuito exclusivo si, después de la instalación, el disyuntor se acciona o salta el fusible periódicamente al utilizar el calefactor. La conexión de otros aparatos al mismo circuito puede exceder la capacidad nominal de corriente del disyuntor.

**Si tiene alguna duda sobre nuestros productos, comuníquese con el servicio de atención al cliente de Real Flame® al 1-800-654-1704**

# INSTRUCCIONES IMPORTANTES DE SEGURIDAD

## CONSERVE ESTAS INSTRUCCIONES

- Retirez et recyclez ou jetez immédiatement les piles usagées conformément aux réglementations locales et gardez-les hors de portée des enfants. Ne jetez PAS les piles avec les ordures ménagères ou ne les incinerez pas.
- Même les piles usagées peuvent provoquer des blessures graves, voire la mort.
- Appelez un centre antipoison local pour obtenir des informations sur le traitement.
- Type de batterie: CR2025
- Tension nominale de la batterie: 3V
- Les piles non rechargeables ne doivent pas être rechargées.
- Ne forcez pas la décharge, la recharge, le démontage, la chaleur au-dessus de 60°C et l'incinération. Cela pourrait entraîner des blessures dues à une ventilation, une fuite ou une explosion entraînant des brûlures chimiques.
- Assurez-vous que les piles sont installées correctement selon la polarité (+et-).
- Ne mélangez pas des piles anciennes et neuves, des marques ou des types de piles différents tels que des piles alcalines, carbone-zinc ou rechargeables.
- Retirez et recyclez ou jetez immédiatement les batteries des équipements non utilisés pendant une période prolongée, conformément aux réglementations locales.
- Sécurisez toujours complètement le compartiment à piles. Si le compartiment des piles ne se ferme pas correctement, arrêtez d'utiliser le produit, retirez les piles et gardez-les hors de portée des enfants.

## ADVERTENCIA

- **PELIGRO DE INGESTIÓN:**  
Este producto contiene una pila de botón o de botón.
- **Puede producirse la MUERTE** o lesiones graves si se ingiere.
- Una pila de botón o una pila de botón ingerida puede causar **quemaduras químicas internas** en tan solo **2 horas**.
- **MANTENGA** baterías nuevas y usadas **FUERA DEL ALCANCE DE LOS NIÑOS**.
- **Busque atención médica inmediata** si se sospecha que se ha tragado o insertado una batería en cualquier parte del cuerpo.
- Tipo de batería/Tensión:  
CR2025/3V



## ADVERTENCIA

PELIGRO DE INGESTIÓN:  
Este producto contiene una pila de botón o de botón.

# ELECCIÓN Y PREPARACIÓN DE LA UBICACIÓN

## ADVERTENCIA

Compruebe que, al tenderlo, el cable de alimentación no quede atascado ni apoyado sobre bordes filosos. Compruebe también que el cable de alimentación se conserve o esté fijado de manera de evitar tropiezos o enganches para reducir el riesgo de incendio, choque eléctrico o lesiones físicas.

El cableado del edificio y del tomacorriente debe cumplir con los códigos edilicios locales y otras normas aplicables para reducir el riesgo de incendio, choque eléctrico y lesiones físicas.

No intente conectar nuevos tomacorrientes ni circuitos por su cuenta. Para reducir el riesgo de incendio, choque eléctrico o lesiones físicas, siempre recurra a un electricista matriculado.

Consulte las instrucciones de puesta a tierra en la figura 1. Este calefactor debe usarse a 120 V. El cable posee un enchufe como el que se ilustra en la parte A de la Figura 1. Hay disponibles conectores como el de la pieza C de la ilustración para conectar enchufes de tres espigas con conexión a tierra a receptáculos de dos orificios. El terminal de tierra verde que sobresale del adaptador debe conectarse a masa permanente, por ejemplo, a un tomacorrientes con la conexión a tierra adecuada. No se debe usar adaptador si cuenta con un tomacorriente de tres ranuras con conexión a tierra.

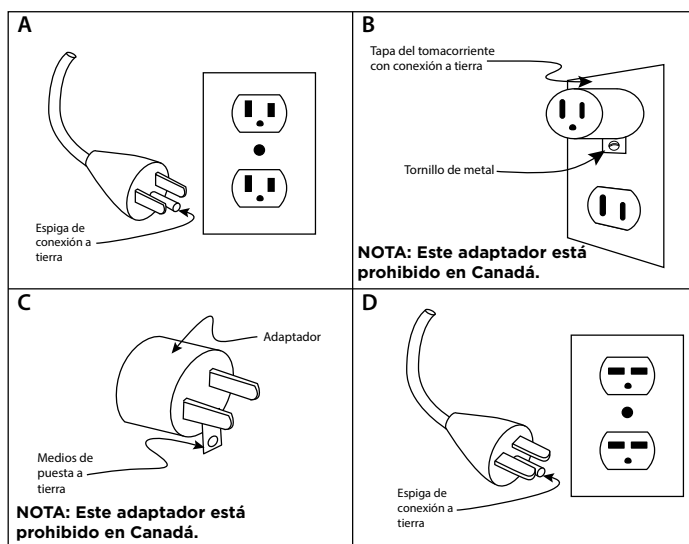


Fig. 1

**Esta sección ofrece instrucciones fáciles paso a paso para seleccionar una ubicación y preparar el lugar para instalar el hogar en cualquier marco de chimenea Real Flame®.**

### NOTA

- El hogar insertable viene totalmente armado y cableado. Es posible que necesite algunas herramientas para preparar la ubicación y colocar el reborde decorativo.
- Las medidas del hogar insertable son 39.125 pulg (99,38cm) de ancho x 18.5 pulg (46,99cm) de alto x 5.625 pulg. (14,29cm) de profundidad.
- Debe dejar un espacio de 1/4 pulg alrededor del hogar insertable para facilitar la instalación.
- Este hogar no precisa ventilación.

Seleccione un lugar adecuado que no sea susceptible a la humedad y que esté alejado de cortinas, muebles y mucho tráfico. Para facilitar la conexión eléctrica, es posible que desee ubicar el chimenea cerca de una toma de corriente existente.

# FUNCIONAMIENTO Y FUNCIONES

## USO DEL CONTROL REMOTO

### Encendido

Enciende y apaga la unidad. Al volver a encenderla, el sistema recupera el último ajuste de calefacción utilizado.

### Ajustar Resplandor

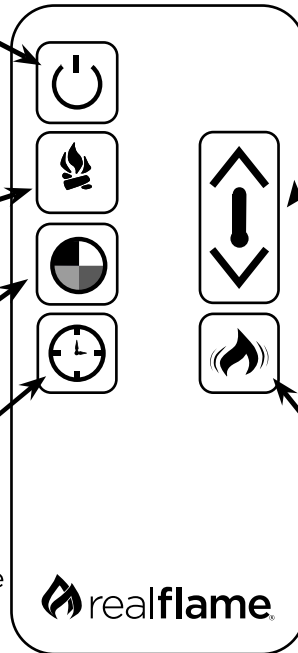
Permite aumentar a reducir el nivel de resplandor de la llama.

### Ajustar la Llama

Esto le permite ajustar el color de la llama

### Apagado Programado

Permite configurar el hogar para que se apague automáticamente una vez transcurrido el tiempo que se muestra en la pantalla. El temporizador se puede activar durante diez minutos y durante un máximo de nueve horas.



### Ajustar Temperatura

Permite programar el termostato. Si lo desea, es posible utilizar el hogar a leña sin activar el calefactor. Para ello, simplemente oprima el botón de función hasta que no se muestre ninguna temperatura. Mantenga presionada la flecha descendente durante cinco segundos para cambiar la lectura de temperatura de °F a °C y viceversa.

### Brasas Dinámicas

Esta función hace que las brasas del fogón ardan más tenuemente o con más resplandor en forma automática, creando un efecto realista de fuego.

## Uso del Panel de Control

### Termostato

Se mostrará °F o °C junto con la temperatura en la pantalla principal. Si lo desea, es posible utilizar el hogar a leña sin activar el calefactor. Para ello, simplemente oprima el botón de función hasta que no se muestre ninguna temperatura.

### Ajustar Calefactor

Esta función se desplaza por todos los niveles de temperatura del calefactor. Mantenga presionado durante 5 segundos para oscilar la lectura entre °F y °C.

### Ajustar Resplandor

Ajustar resplandor. Esta función se desplaza por los cinco niveles de resplandor de la llama.

### Encendido

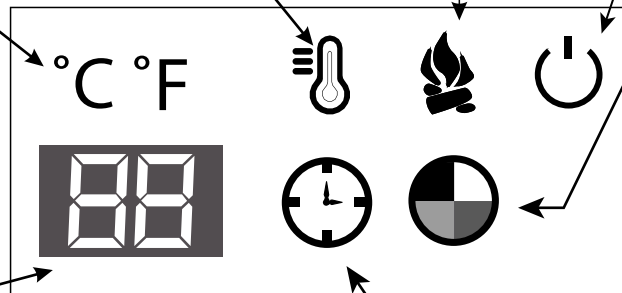
Enciende y apaga la unidad.

### Ajustar la Llama

Esto le permite ajustar el color de la llama.

### Temporizador/ Brasas dinámicas

Le permitirá activar el apagado automático del hogar. Mantenga presionado durante 5 segundos para pasar a la función Brasas dinámicas. Esta función hace que las brasas del fogón ardan más tenuemente o con más resplandor en forma automática, creando un realista efecto de fuego. Mantenga presionado 5 segundos para regresar al Temporizador.



### Pantalla Principal

Toda la información numérica se mostrará en esta pantalla junto con el ícono correspondiente a la función.

# FUNCIONAMIENTO Y FUNCIONES

**! NOTA** Las brasas de las leñas no dejarán de resplandecer de inmediato después del apagado. Se trata de una función cuyo objetivo es reproducir el apagado lento de las brasas de un fogón.

**! NOTA** Es posible que el ventilador continúe funcionando una vez apagado el calefactor para evitar el sobrecalentamiento.

**! NOTA** Si la pantalla lee 88 o EE, verifique que todas las rejillas de ventilación de la cámara de combustión están libres de obstrucciones, desenchufe la caja de fuegos y vuelva a enchufarla para restablecer la cámara de combustión. Si el problema persiste, comuníquese con Real Flame al 1-800-654-1704.

## CUIDADO Y MANTENIMIENTO

### Cambio de baterías

- Para abrir la tapa de la batería, deslícela mientras presiona la palanca de liberación y extrae la batería. Consulte las instrucciones en la parte inferior del control remoto.
- Reemplace la batería descargada por una batería CR2025. El hogar no incluye baterías de repuesto.
- No deseche las baterías descargadas entre los residuos municipales. Las baterías deben depositarse en el punto local de recolección para el reciclado de baterías.
- Coloque la tapa de la batería.

### Diodo emisor de luz

Este hogar posee lámparas LED (siglas en inglés de diodo emisor de luz) en lugar de bombillas tradicionales. Las lámparas LED generan los mismos niveles de luz que las convencionales, pero emplean una fracción de la energía. Las lámparas LED no necesitan mantenimiento y no debería ser necesario cambiarlas durante la vida útil del producto.

### Limpieza

#### **! ADVERTENCIA**

Desconecte del suministro eléctrico antes de cualquier tarea de mantenimiento o limpieza para reducir el riesgo de incendio, choque eléctrico, lesión o muerte.

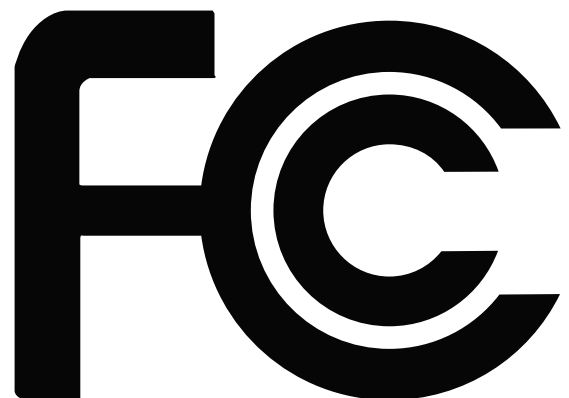
#### **! PRECAUCIÓN**

Al transportar o guardar la unidad y el cable, manténgalos en un lugar seco sin vibraciones excesivas y de manera de evitar daños.

- Quite el polvo de la unidad con un paño limpio y seco.
- Repase todas las superficies pintadas con un paño limpio y agua tibia. No use limpiadores abrasivos.
- Use un limpiavidrios común para limpiar el panel de vidrio de la unidad.



Usado aprobado en los Estados Unidos y Canadá



# INSTALACIÓN DEL HOGAR ELÉCTRICO 4192



## ADVERTENCIA

Lea y comprenda todos los manuales de instrucciones que se incluyen con su hogar y el marco del hogar antes de instalar esta unidad.

Siga estos pasos para instalar el hogar eléctrico en el marco del hogar Real Flame®

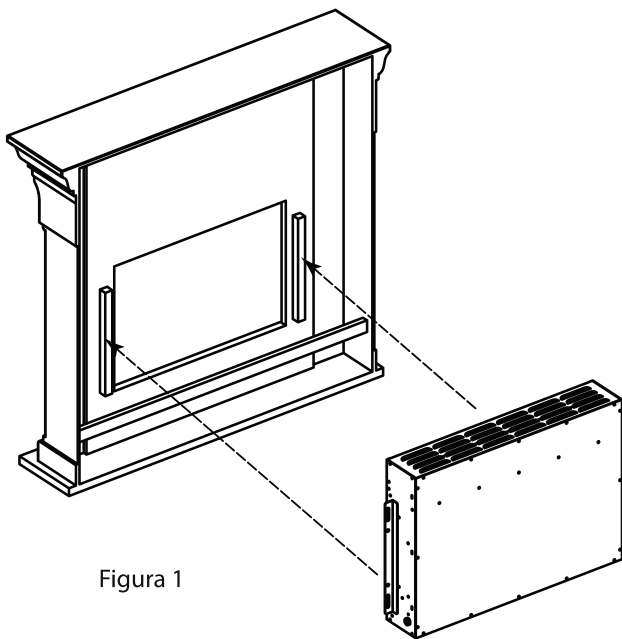


Figura 1

## Primer paso

Figura 1

Inserte el hogar desde la parte posterior del marco para el hogar.

**Nota:** Su marco para hogar puede variar levemente del que se ve en las ilustraciones.

## Segundo Paso

Figura 2

Sujete el hogar a la parte posterior del marco con los cuatro tornillos.

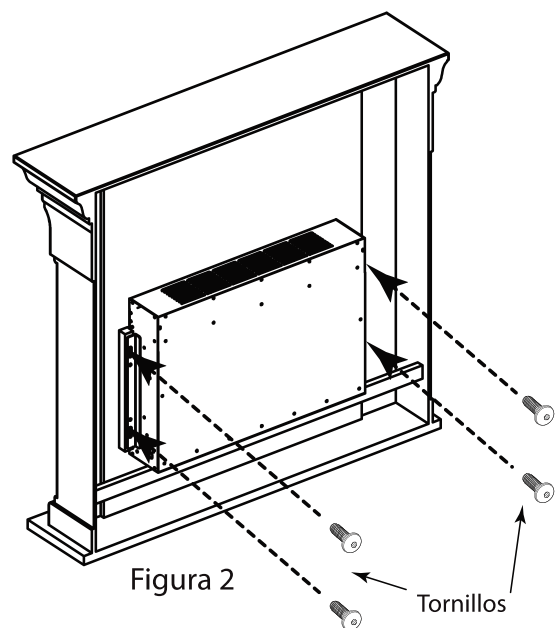


Figura 2

Tornillos

# GARANTÍA

## Garantía Limitada

Real Flame® garantiza que los siguientes componentes de esta chimenea Real Flame® ("el Producto") estará libre de defectos de fabricación y materiales después el ensamble correcto y bajo el uso normal y el mantenimiento adecuado de los períodos indicados más abajo, comenzando con la fecha de compra del Producto:

- El cuerpo - 1 año de garantía limitada.
- Los componentes internos - 1 año de garantía limitada.

Esta garantía se extiende al comprador original únicamente, siempre que la compra haya sido realizada a través de un distribuidor autorizado Real Flame. La garantía está también sujeta a las siguientes condiciones y limitaciones:

Esta garantía no se extiende a los daños ocasionados por transporte, ensamblaje inadecuado, instalación o almacenaje, instalación que no cumpla con los códigos y las ordenanzas de construcción, instalación u operación que no esté de acuerdo con el manual incluido, abuso, falta de mantenimiento, ambientes hostiles, accidentes, clima natural o reparaciones de baja calidad. La modificación del Producto, el uso de combustibles distintos a los aprobados por Real Flame, o el uso de piezas instaladas de otros fabricantes, anularán esta garantía.

Esta garantía se aplica a la funcionalidad del Producto únicamente y no cubre elementos cosméticos tales como raspones, hendiduras, corrosión, oxidación, corrosión, áreas decoloradas o agrietadas debido a la exposición prolongada al calor extremo decoloración causada por el calor, limpiadores abrasivos y limpiadores químicos. Sin embargo, si el deterioro de las piezas ocurre a un grado que impida el funcionamiento dentro del período de la garantía, Real Flame proporcionará una pieza de reemplazo.

Real Flame exige una prueba razonable de su fecha de compra. Por lo tanto, usted debe conservar su recibo de venta y/o la factura. Las partes defectuosas sujetas a esta garantía no serán reemplazadas sin la prueba de compra.

Real Flame debe tener la oportunidad de verificar el defecto que alega. Para que cualesquiera de los componentes internos estén amparados bajo esta garantía, Real Flame exige que el usuario haga una localización de la avería con un miembro de servicio al cliente de Real Flame para garantizar el funcionamiento adecuado y el diagnóstico del problema.

En el caso de defectos amparados de los elementos garantizados, Real Flame, a su discreción, reemplazará el componente defectuoso, reemplazará el Producto o reembolsará el precio de compra. Real Flame no es responsable por la instalación, mano de obra u otros costos relacionados con la reinstalación. Lo anterior es el recurso exclusivo según los términos de esta garantía limitada. Real Flame no será responsable de los daños accidentales o resultantes causados por defectos en el Producto. Algunos estados no permiten la inclusión o limitación de daños accidentales o resultantes, así que es posible que la limitación o la exclusión puede que no apliquen para usted.

Esta garantía limitada es la única garantía expresa otorgada por Real Flame. La duración de cualquier garantía implícita que surja según las leyes de cualquier estado, incluyendo la garantía de mercantilidad o adecuación para un fin o uso en particular, está limitada a la duración de la garantía especificada anteriormente. Algunos estados no permiten limitaciones en cuanto a la duración de la garantía implícita, de modo que esta limitación puede no ser aplicable en su caso.

Esta garantía le otorga derechos legales específicos y usted puede tener también otros derechos que varían de un estado a otro.

Para el servicio de garantía:

1. Llame al Servicio al cliente de Real Flame al 1-800-654-1704 para apoyo técnico y para solución de problemas.
2. Si tiene problemas con el acabado, por favor rellene el formulario "Reclamo de la Garantía en Exterior" en [www.realflame.com](http://www.realflame.com).



# POLÍTICA DE DEVOLUCIÓN

## Política de devolución

Usted puede devolver su compra en el plazo de 90 días de haberla recibido. No se emitirán reembolsos por devoluciones incompletas o no autorizadas. Todos los productos devueltos deben estar 100% completos, adecuadamente empacados en su empaque original y en condiciones de reventa. Los productos que han sido ensamblados o modificados no reúnen los requisitos para la devolución. Todos los artículos deben ser devueltos en su totalidad, lo cual significa que todos los artículos incluidos deben ser devueltos juntos. No se aceptan devoluciones o cambios de artículos discontinuados. Comience el proceso de devolución comunicándose con la tienda o la compañía donde adquirió su artículo Real Flame®.

## Piezas de repuesto

En caso de que un artículo se haya perdido o dañado por parte del fabricante o en el envío, usted puede solicitar un reemplazo. Las piezas de reemplazo no están disponibles para todas las unidades y solo se suministran a la discreción de Real Flame. Nosotros evaluaremos cualquier daño y encontraremos una solución, lo cual puede incluir enviarle un reemplazo. No hay reemplazos disponibles para artículos discontinuados o productos reempacados (caja que ha sido abierta). Llame a Servicio al cliente de Real Flame al 1-800-654-1704 para las piezas de repuesto antes de devolver el artículo dañado. Tenga lista la siguiente información consigo (la cual puede encontrar en su manual de instrucciones) antes de llamar al Servicio al cliente:

- Número de modelo del artículo
- Número de pieza de 4-8 dígitos
- Dirección de envío
- Se puede solicitar una foto del artículo dañado. Las fotos se pueden enviar a [csrep@realflame.com](mailto:csrep@realflame.com)

## Orden incorrecta recibida

Si usted recibió algo distinto de lo que ordenó, comuníquese con el Servicio al cliente de Real Flame al 1-800-654-1704 en el plazo de 48 horas de haber recibido el artículo.

Consulte [www.realflame.com](http://www.realflame.com) para las pautas y políticas completas de devolución.

Registre su chimenea para las notificaciones de retiro del mercado, prueba de titularidad y aseguramiento de la calidad en <https://www.realflame.com/registration>.

Real Flame®  
7800 Northwestern Ave.  
Racine, WI 53406  
USA

Servicio al cliente: 1-800-654-1704 en EE. UU.  
Service à la clientèle: 1-800-363-6443 in Canada  
[csrep@realflame.com](mailto:csrep@realflame.com)

# Consumer Product Real Flame® Ownership Registration

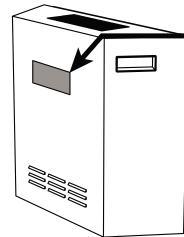
Enregistrement de propriété de produit Real Flame®  
Registro de propiedad del producto de consumo Real Flame®

To activate your warranty complete the form below and mail or email to the following address:

Pour activer la garantie de remplir le formulaire ci-dessous et le courrier ou par courriel à l'adresse suivante:  
Para activar la garantía completa el siguiente formulario y envíelo por correo o correo electrónico a la siguiente dirección:

Real Flame Warranty Dept.  
7800 Northwestern Ave.  
Racine, WI, 53406  
csrep@realflame.com

Model Number / Numéro de modèle / Número de modelo



Model and Serial Numbers can be found on the back panel of the electric firebox.

Números de modèle et de série se trouvent sur le panneau arrière du foyer électrique.

Modelo y número de serie se encuentra en el panel posterior de la cámara de combustión eléctrica.

Serial Number / Numéro de série / Número de serie

Mr./M./Sr.  First Name  
Ms./Mme/Srta.  Prénom  
Mrs./Mile/Sra.  Nombre  
Miss

Last Name  
Nom de Famille  
Apellido

Street Address  
Adresse  
Domicilio

Appt. #  
N° d'app  
dpto.

Country  
Pays  
País

City  
Ville  
Ciudad

State  
État ou Province  
Estado

Zip Code  
Code Postal  
Código postal

Date Purchased/Date de l'achat/Fecha de compra

Month  
Mois  
Mes

Day  
Jour  
Día

Year  
Année  
Año

Phone Number  
Téléphone  
Teléfono

E-mail Address/  
Courriel/  
Correo electrónico

What website or store was this product purchased from?  
À partir de quel site web ou de quel magasin ce produit a-t-il été acheté?  
¿En qué sitio o tienda adquirió este producto?

Please be advised that as part of our privacy policy we never sell or give your private information to anyone. This information is being used for the sole purpose of product warranty verification.

Soyez assuré que, selon notre politique de confidentialité, nous ne vendrons ou ne donnerons jamais vos renseignements confidentiels à qui que ce soit. Ces informations ne seront utilisées qu'aux seules fins de vérification de garantie de produit.

Tenga en cuenta que nuestra política de privacidad nos impide vender o entregar su información privada a terceros. Esta información se utiliza con el único fin de verificar la garantía del producto.